

Quick Installation Guide

1 DTU Installation

Warning

- Only qualified personnel can install or replace the DTU.
- Do not attempt to repair the DTU as it contains the parts that are not serviceable to users. If the DTU breaks down, please contact your distributor for maintenance. Opening the DTU without permission will invalidate the warranty.

- 1) Insert the SIM card into the card slot on the side of DTU.
- 2) Connect the DTU to the adapter and plug it into the wall socket. (Figure 1 & 2).

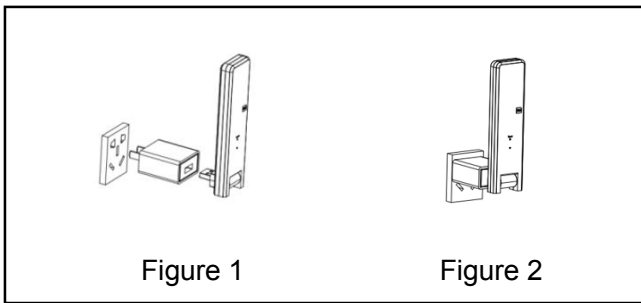


Figure 1

Figure 2

- 3) If using Power Strip, please make sure it is placed at least 1 meter above the ground and try to install the DTU 90 degrees vertical to the ground as much as possible (figure 3).

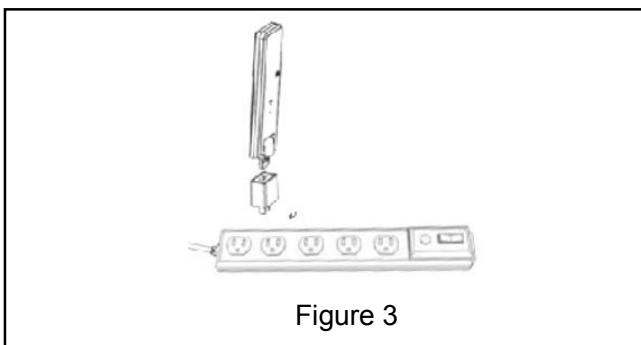


Figure 3

Note: Please do not install the DTU direct above the metal or concrete to prevent the signal dilution.

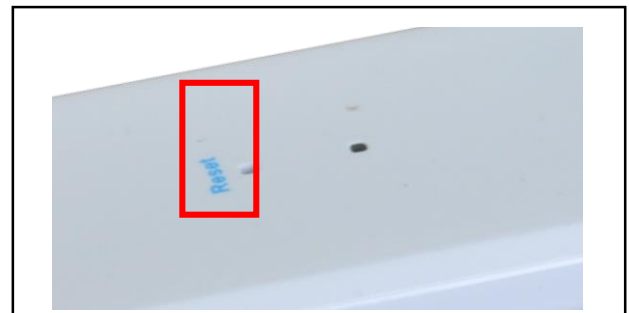
2 Start Procedure

Once the DTU powers on, the red, green and blue lights will flash for one second in turns, then blue

light will turn on for 40 seconds for DTU self-checking. After this the green light will flashing until Networking completed.

Note:

- (1) Non-professionals do not modify other parameters.
- (2) The “Reset” button on the DTU shell is only for customers who use the enterprise WiFi.



3 Complete the Installation Map

Peel the serial number label from the DTU and place it on the installation map. Complete system information of the installation map shown as follows.



		To sheet															
		Panel Group: South 202				Customer information: Zhang San				DTU serial Number:				hoymiles			
		Address: 502				No. 10 Ganggang Road, Hangzhou				100151501034							
		Sheet 1 of 1				Zhangsan@gmail.com											
		1 ^o	2 ^o	3 ^o	4 ^o	5 ^o	6 ^o	7 ^o	8 ^o	9 ^o	10 ^o	11 ^o	12 ^o	13 ^o	14 ^o		
LINE 02	A ^o																
	B ^o																
	C ^o																
	D ^o																